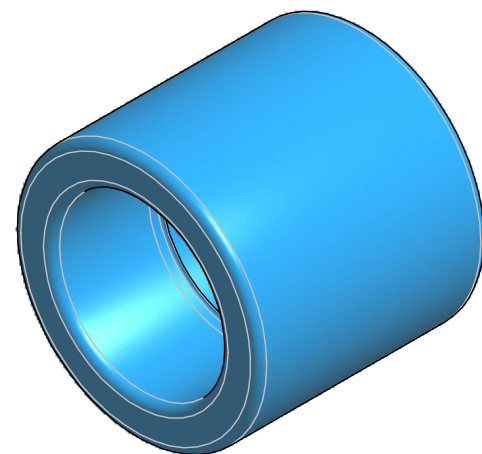
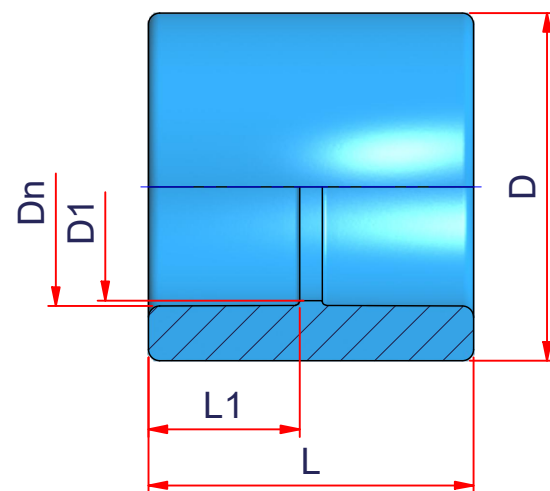


CODE	Weight kg/pc	Volume m ³ /pc	Dn	D1	D	L1	L
03NMAN16	0,009	0,00002	16	15	24,5	16	34
03NMAN20	0,011	0,00003	20	18	29	17	35
03NMAN25	0,017	0,00005	25	20	35	18	39
03NMAN32	0,034	0,00009	32	30	46	20	43
03NMAN40	0,053	0,00015	40	37	56	22	48
03NMAN50	0,093	0,00026	50	47	70	25	54
03NMAN63	0,168	0,00048	63	60	88	29	62
03NMAN75	0,235	0,00072	75	70	101	32	71
03NMAN90	0,398	0,00101	90	87,5	114,5	37	77
03NMAN110	0,791	0,0021	110	106	151	43	92
03NMAN125	0,649	0,00233	125	116	160	46,5	91



SISTEMA
NIRON

ITEM: **NMAN**

DESC: MANICOTTO
COUPLER

C:\Vault_Temp\Disegn\ISchede Tecniche\Niron Blue metric\Socket Fusion Fittings\NI10034.dwg



DRAWING No:
NI10034

SHEET OF	REV.
1 1	-2

www.nupiindustriaitaliane.com - info@nupinet.com

All dimensions have to be considered in millimeters with 5% tolerance if not otherwise mentioned excluding values as per standard EN ISO 15874